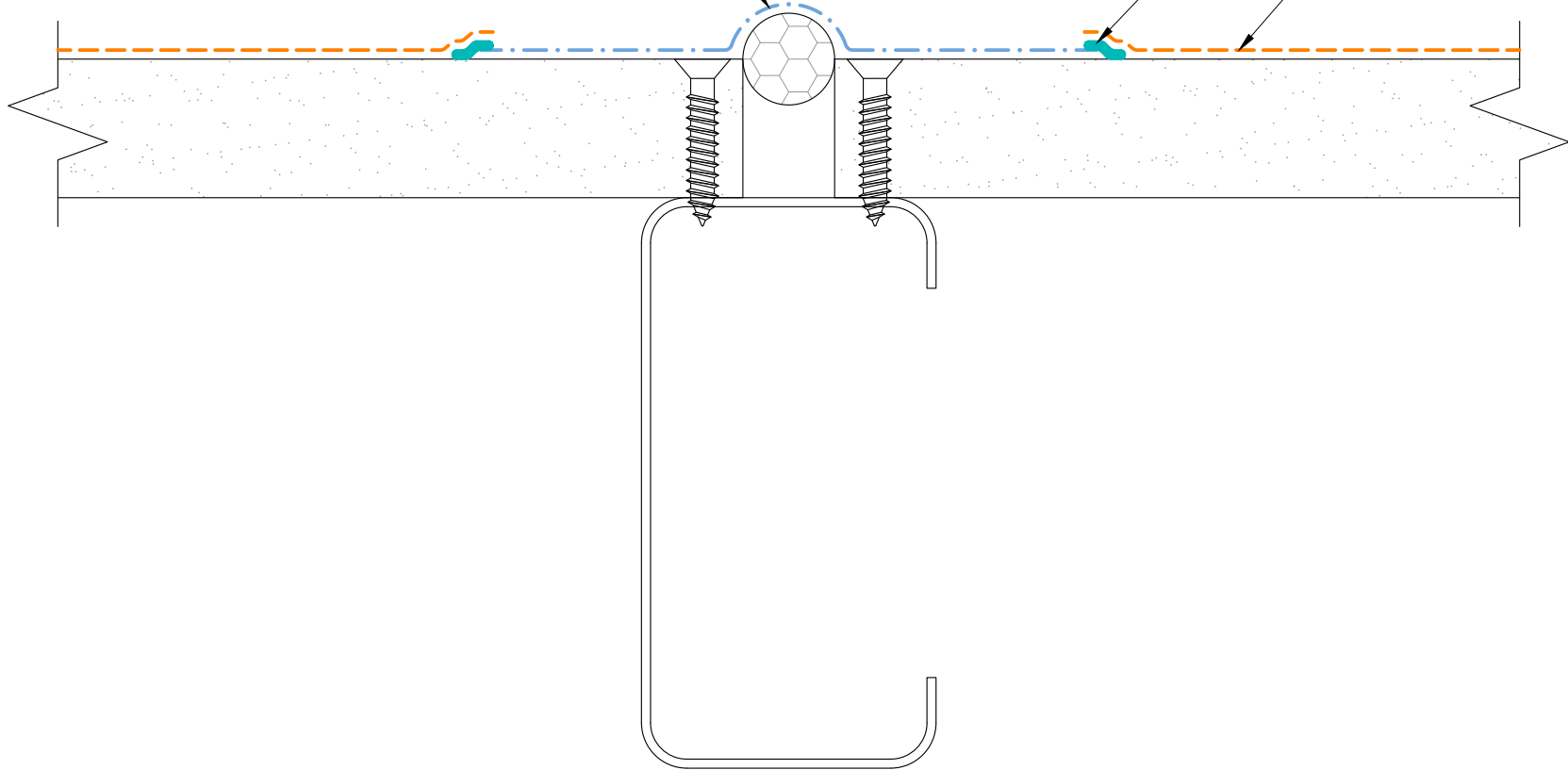


EXOAIR 110AT OR 110 OVER BACKER ROD
INSTALLED PROUD

DESIGN PROFESSIONAL TO DETERMINE SIZE
WITH ANTICIPATED MOVEMENT

DYMONIC 100

EXOAIR 130



NOTES: BUILDING FACADE NOT SHOWN FOR CLARITY

EXOAIR PRIMER MUST BE USED WITH EXOAIR 110

The architecture, engineering, and design of the project using the Tremco products are the responsibility of the project's design professional. All products and systems must comply with local building codes and standards. This detail is for general information and guidance only and Tremco specifically disclaims any liability for the use of this detail. The project design professional determines, in its sole discretion, whether this detail or a functionally equivalent detail is best suited for the project. This detail is subject to change without notice. Contact Tremco to ensure you have the most recent version.

ExoAir 130



Tremco Technical Support: 866-209-2404

Detail: Impermeable Fluid - Control Joint - ExoAir 110/110AT with Backer Rod

Drawn by: KAB

Checked by: CB

Scale: NTS

Date: 5/2/2023

File Name:

AVB-130S-CJ-02



Construction Products Group

tremcocpg.com